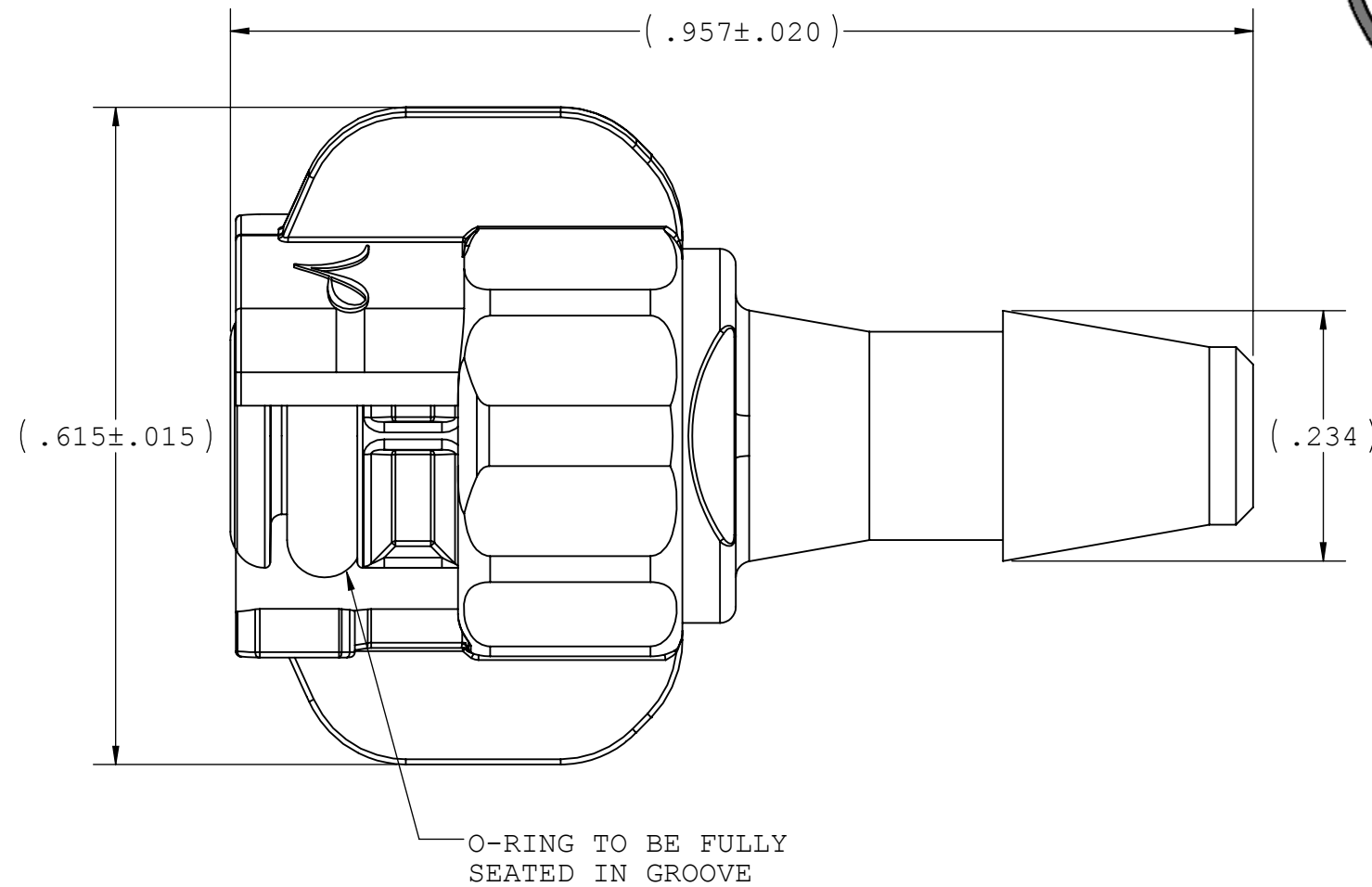
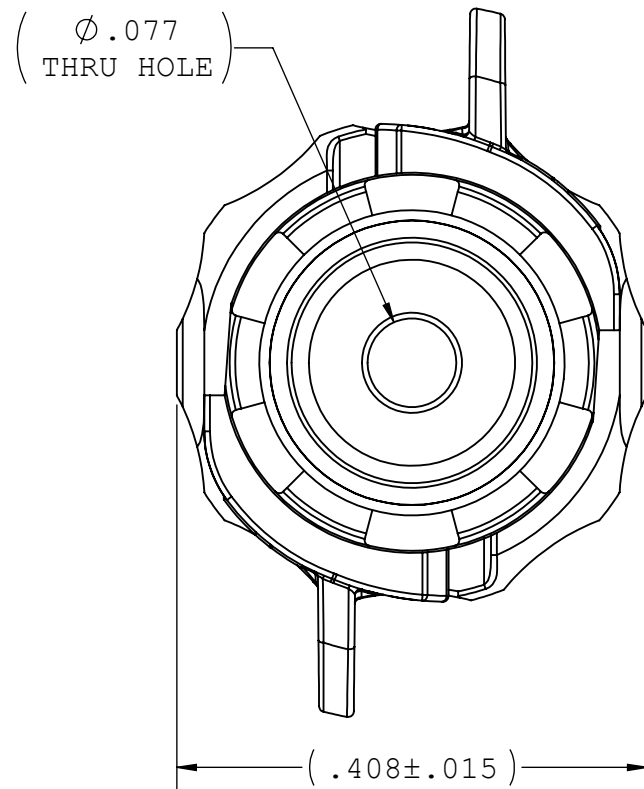
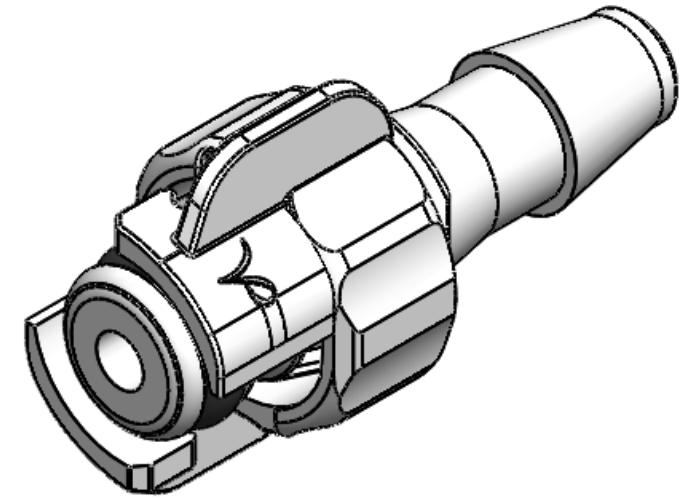


NOTES: FOR ADDITIONAL DETAILS, PLEASE CONTACT VP CUSTOMER SERVICE
 DIMENSIONS MARKED  ARE CONTROL DIMENSIONS

REVISIONS			
REV.	DESCRIPTION	DATE	APPROVED
A	INITIAL RELEASE	08/01/12	S.N.R



UNLESS OTHERWISE SPECIFIED DIMENSIONS ARE IN INCHES TOLERANCES ARE:		VALUE PLASTICS, INC			
FRACTIONS DECIMAL ANGULAR ± .XX ±.01 ± 1° .XXX ±.005 .XXXX ±.001		PART NUMBER: BPLM240			
DO NOT SCALE DRAWING		DESCRIPTION: BPLM w/ 200 SERIES BARB, 5/32" (4.0 mm) ID TUBING			
DRAWN BY: kyles	DATE: 8/3/2012	SIZE: B	SCALE: NTS	VER: 	DWG. NO. 1022987
MANAGER: RaviN		© 2011 VALUE PLASTICS, INC			REV A
				SHEET: 1 OF 1	

FOR REFERENCE ONLY